

CASE FOR LIVING SQUARE FURNITURE

Vanity unit

40142.1

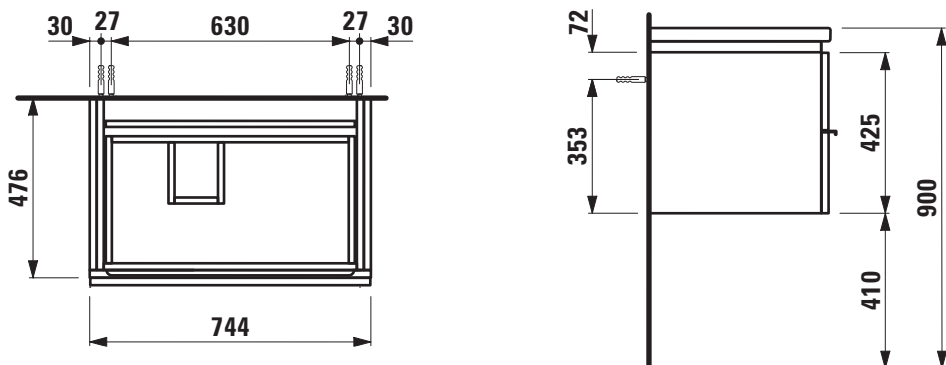
40142.2



TECHNICAL DATA

Order no.	40142.1 / 1 drawer 40142.2 / 2 drawers	Mounting acc. incl.	Installation set for furniture, order no. 49120.6, 49114.0
Dimensions (WxHxD)	744 x 425 x 476 mm	Mounting information	The walls installed on must meet the requirements of the furniture in terms of weight and the supplied fastening elements. If this cannot be guaranteed another method of installation needs to be chosen. For example with feet.
Matching for	Washbasin, order no. 81743.8	Colours	463 – White matt 475 – White glossy 519 – Chalked oak 548 – Anthracite oak 999 – 39 other lacquered colours on request
Specification	Body/Front – MDF board with PVC foil Integrated handle on the top of the drawer and aluminum handle bar in the middle		
Weight	40142.1 / 24,5 kg 40142.2 / 30,0 kg		
Accessories excl.	Feet (2 pieces), aluminium, order no. 48309.7 Towel rail, anodized aluminium, order no. 49095.2 Space saving siphon, order no. 89424.0		

TECHNICAL DRAWINGS / S 1 : 20



CASE FOR LIVING SQUARE FURNITURE

Vanity unit

40144.1

40144.2



TECHNICAL DATA

Order no.	40144.1 / 1 drawer 40144.2 / 2 drawers	Mounting acc. incl.	Installation set for furniture, order no. 49120.6, 49114.0
Dimensions (WxHxD)	744 x 425 x 476 mm	Mounting information	The walls installed on must meet the requirements of the furniture in terms of weight and the supplied fastening elements. If this cannot be guaranteed another method of installation needs to be chosen. For example with feet.
Matching for	Washbasin, order no. 81743.9	Colours	463 – White matt 475 – White glossy 519 – Chalked oak 548 – Anthracite oak 999 – 39 other lacquered colours on request
Specification	Body/Front – MDF board with PVC foil Integrated handle on the top of the drawer and aluminum handle bar in the middle		
Weight	40144.1 / 24,5 kg 40144.2 / 30,0 kg		
Accessories excl.	Feet (2 pieces), aluminium, order no. 48309.7 Towel rail, anodized aluminium, order no. 49095.2 Space saving siphon, order no. 89424.0		

TECHNICAL DRAWINGS / S 1 : 20

